

# Indissima Modular TRH - Left

Toilet Roll Holder Module to be fitted with Modular Bar A8883.

Stainless Steel - A8826N NS  
Matte Black - A8826N NE  
Matte White - A8826N WM

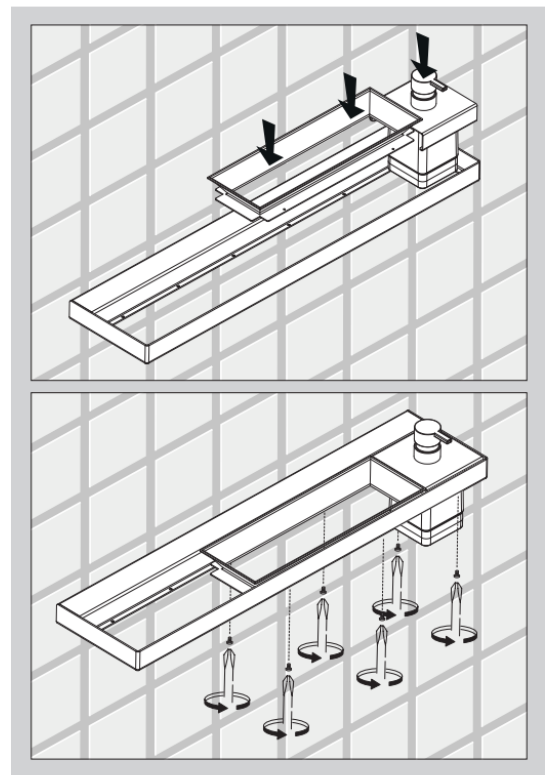
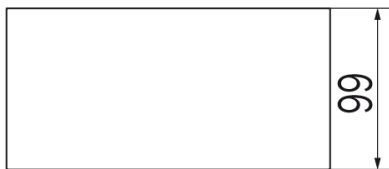
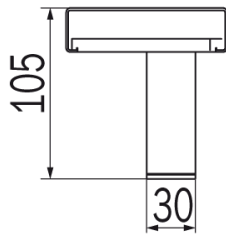
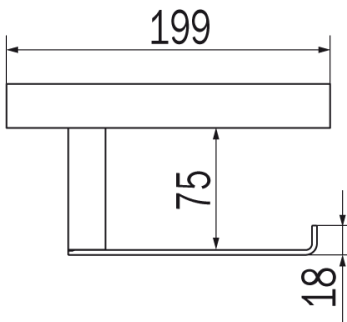
## Colours Available

Stainless Steel - NS  
Matte Black - NE  
Matte White - WM

Designed by Matte Thun

Manufactured in Italy

2 Year Replacement Warranty



Proudly imported and distributed by  
Gro Agencies Pty Ltd  
Unit 2 / 37 Howe St, Osborne Park, WA, 6017  
P 08 9446 3288 E info@groagencies.com.au W www.groagencies.com.au

